

匯統國際股份有限公司
Huey Tung International Co.,

產品規格書 Specification

[Model : HT-4229 / 2017.06.14 version]



Cara Audio Corporation

No.69, Lane 762, Dingzhong Road, Sanmin District, Kaohsiung City, Taiwan, ROC.


Tel: 886-7-310 5786 / Fax: 886-7-310 0783

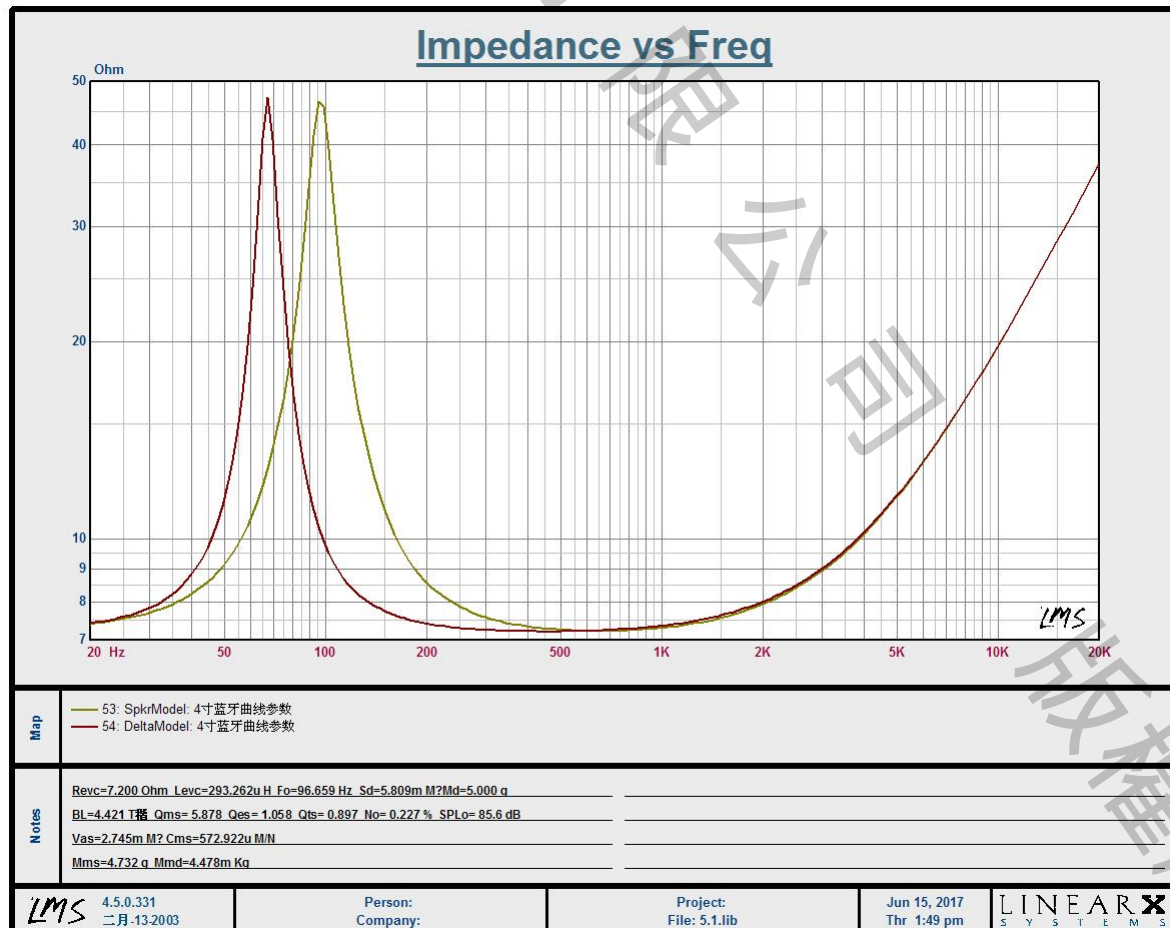
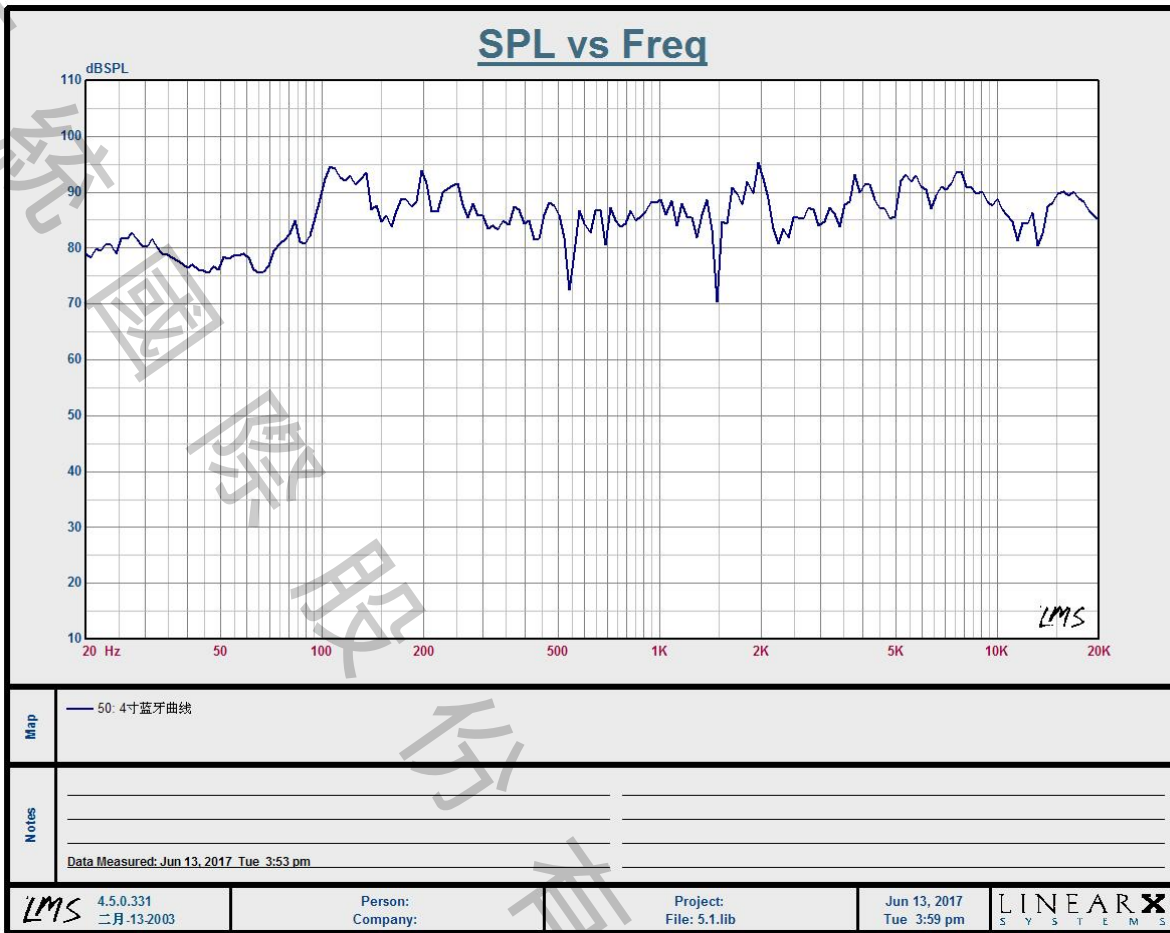
E-mail: carawang@hueytung.com.tw / <http://www.hueytung.com.tw>

揚聲器製品規格書

SPEAKER SPECIFICATION

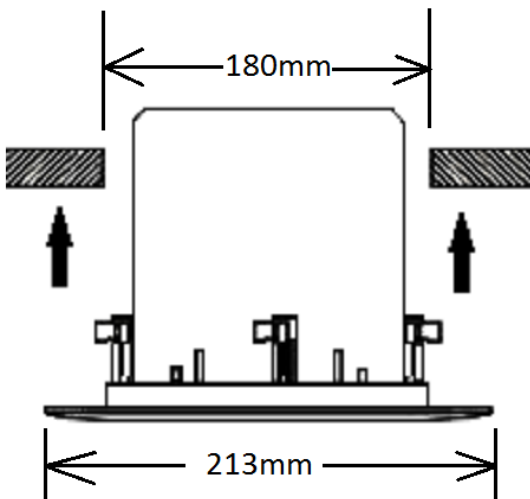
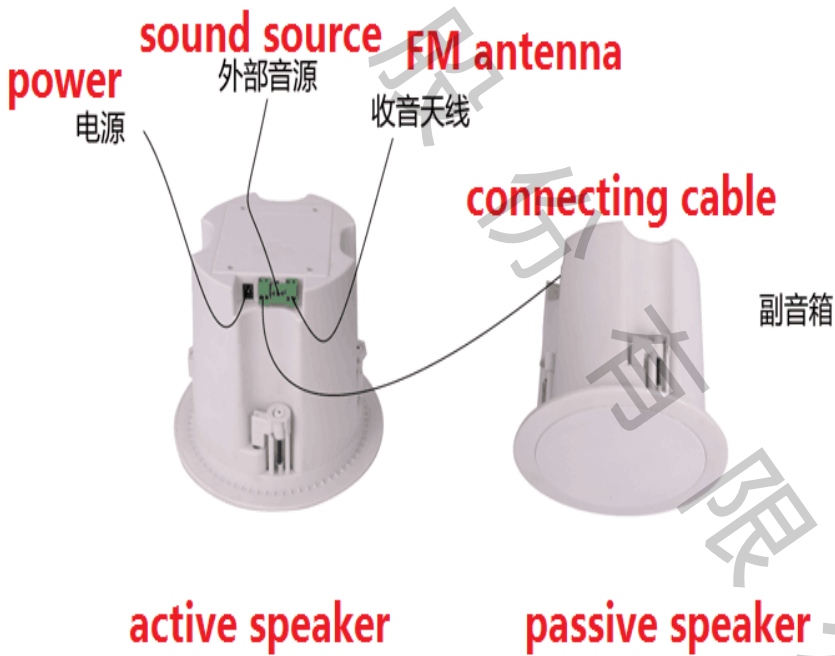
型號:Model Number : HT-4229

項目 Items		規格 Specification		
1	公称阻抗 Nominal Impedance	8Ω±10% at 300 Hz 1.0v		
2	最低共振周波数 Lowest Resonance Frequency	95 Hz±20%Hz Free Space Without Baffle		
3	实效周波数带域 Effective Frequency Range	95~20KHz ±10Db(1M/1W)		
4	出力音压 Output Sound Pressure Level	89dB±3dB 1W/M at (200,300,400,500)Hz AVE.		
5	入力 Input	定格入力 Rated input 20 W	最大入力 Maximum input 40 W	
6	磁束密度 Flux Density	-----±10% GAUSS		
7	异常音试验电压 Buzz & Rattle Test	Must be normal at sine wave 8.5 V 90~20KHz		
8	动作试验电压 Operation Test	Must be normal		
9	极性 Polarity	/		
10	磁石尺寸/重量 Magnet Dimension/Weigh	Magnet:80*40*15 Y30 Sub Magnet:	10 oz	
11	连续负荷试验 Life Test	/	After the Test, Speaker should be meet the Outside and item 7,8	
12	耐热试验 Heat Resistance	/		
13	耐湿试验 Humidity Resistance	/		
14	耐寒试验 Cold Resistance	/		
15	落下试验 Drop Test	/		
16	绝缘耐压试验 Insulation Resistance	Or more 1MΩ 以上		
17	周波数特性 Frequency Response Curve	参照附图 On Other Drawing		
18	失真率 Distortion	/		
19	各部 材质	Cone Paper	PP cone and rubber surround	
		Voice Coil	Φ25 ASV + Tweeter: 20mm ASV 黑色蠶絲 dome	
		Cap	/	
20	总重量 Total Weight	1.5KG		
21	Power	100V-240V input, 18V 2A output		
22	Bluetooth	4.0 version		
23	PACKING	Around 1.5KG/PC, 4KG/SET 52*28*24cm		
 Size: 213*150mm 試作發行: 2016. 07. 22		Approve: Arthur	Check: Chen	Design: Wang





接線說明：



Note: Ceiling installation hole diameter recommended in **180-190mm** between the height of ceiling from the wall needs to be **148mm** or more. (Around 1.5KG/PC)